



FOOD EQUIPMENT

SERVING THE FOOD INDUSTRY SINCE 1951

44-INCH STAINLESS STEEL ELECTRIC HOT FOOD TABLE WITH CUTTING BOARD AND UNDERSHELF

Item: 44408 Model: FW-CN-0003

KEEP YOUR HOT FOODS READILY AVAILABLE AT SAFE TEMPERATURE

Omcans 44-inch stainless steel electric hot food table with cutting board and undershelf is the ideal unit for buffet and catering services. This unit is intended for dry use and comes with the option of compatible spillage pans for moist heat - sold separately. Durably built with stainless steel construction, our food table comes equipped with a convenient undershelf to store essential serving and kitchen tools, as well as a polycarbonate cutting board for extra workspace. Keep all your hot foods consistently warm and readily available!



Pans not included.



WARRANTY
PARTS AND LABOR



SHIPPED ON PALLET



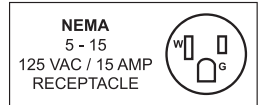
Authorized Dealer

TECHNICAL SPECIFICATIONS

ITEM NUMBER	44408
MODEL	FW-CN-0003
MAX. TEMPERATURE	Approximately 212°F / 100°C
POWER	1500 W
MATERIAL	Stainless Steel
ELECTRICAL	120V / 60Hz / 1Ph
NUMBER OF PANS*	3
PAN SIZE	20.78" x 12.8" x 6" / 528 x 325 x 150 mm
UNDERSHELF SIZE	49" x 25.4" / 1243.4 x 646.4 mm
CUTTING BOARD SIZE	44" x 7" x 0.6" / 1120 x 178 x 15 mm
DIMENSIONS (WDH)	44" x 29.5" x 33.46" / 1120 x 750 x 850 mm
GROSS DIMENSIONS	49" x 27" x 18.5" / 1250 x 685 x 470 mm
NET WEIGHT	83.8 lbs / 38 kg
GROSS WEIGHT	103.6 lbs / 47 kg

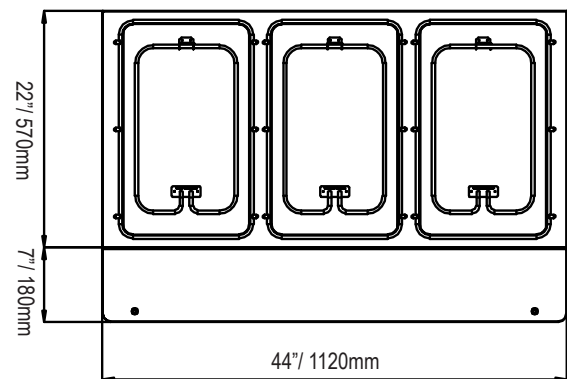
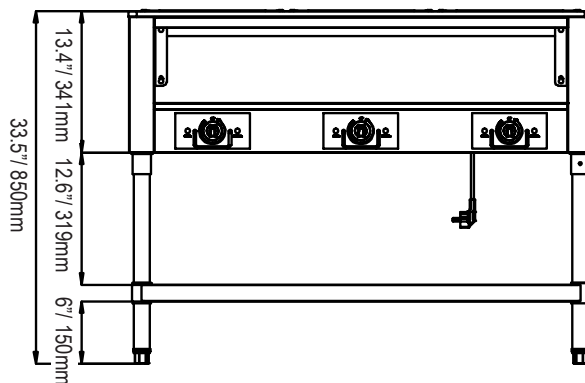
FEATURES

- Stainless steel construction
- Adjustable stainless steel undershelf and removable poly carbonate cutting board
- Adjustable stainless steel feet
- Stainless steel heating element
- 3 independent infinite controls



*Pans not included.

TECHNICAL DRAWINGS AND DIMENSIONS



OMCAN INC.

Telephone: 1-800-465-0234

Fax: (905) 607-0234

Email: sales@omcan.com

Website: www.omcan.com



Follow us to keep up to date with the latest news and offers

